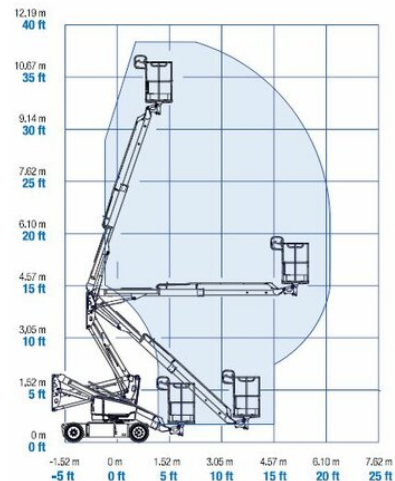


# Articulated Boom Lift MT 121N

## Telescope Work Platforms

### Product features

- Battery drive
- Without outriggers
- non marking tyres



### Technical data

<b>Max. Working Height</b>	12 m
<b>Max. Platform Height</b>	10 m
<b>Slewing</b>	400°
<b>Platform length</b>	1.17 m
<b>Platform width</b>	0.76 m
<b>Capacity</b>	200 kg
<b>Platform rotation</b>	nein
<b>Transport length</b>	4.17 m
<b>Transport width</b>	1.5 m
<b>Gross weight</b>	3,665 kg
<b>Drive</b>	Batterie
<b>Inclination across</b>	2.5 °
<b>Inclination along</b>	4.5 °

**SALZBURG** Bayernstraße 47, 5071 Wals | Phone 0043 / 662 / 85 45 74 | [salzburg@maltech.com](mailto:salzburg@maltech.com)

**VIENNA** Laxenburgerstraße 246B, 1230 Wien | Phone 0043 / 1 / 616 22 44 | [wien@maltech.com](mailto:wien@maltech.com)

**GRAZ** Industriezeile 1, 8401 Kalsdorf | Phone 0043 / 3135 / 53 202 | [graz@maltech.com](mailto:graz@maltech.com)

**HALL IN TYROL** Schlöglstraße 24, 6060 Hall in Tirol | Phone 0043 / 5223 / 52 022 | [hall@maltech.com](mailto:hall@maltech.com)

**LINZ** Gewerbepark 11, 4052 Ansfelden | Phone 0043 / 7229 / 79 655 | [linz@maltech.com](mailto:linz@maltech.com)

**ST. PÖLTEN** Hugo von Hofmannsthalstraße 4, 3100 St. Pölten | Phone 0043 / 1 / 616 22 44 | [stpoelten@maltech.com](mailto:stpoelten@maltech.com)

**GYŐR | DEBRECEN | BUDAPEST | BRATISLAVA | KOSICE**